

SIMPLE LAMPS | SCALLOPED WILLOW - WALL SCONCE - 280 | SCA-WIL-280-WS



DESCRIPTION

An addition to our 'Scalloped Willow' family. This simple elegant wall-sconce based on a metal frame folded in half at 90 degrees. The pattern of the frame above will cast dramatic shadows on the wall above. Illuminated by 1x G9 LED lamp within a handmade frosted or clear Pyrex glass diffuser, OR by 1x E12/14 or E26/27 vintage style LED bulb.

See our Finishes & Materials page for all standard specs

PRODUCT SIZE

SHADE SIZE: 280 X 180W MM / TOTAL HEIGHT: 700MM

PACKAGING DIMENSIONS

440MM(W) X 440MM(L) X 330MM(H)



LAMP TYPE & NO

1X G9-2.5W LED
OR 1X E12/14 OR E26/27 LED
WARM WHITE - DIMMABLE

CLASS II
IP RATING 20
QC RATING 21

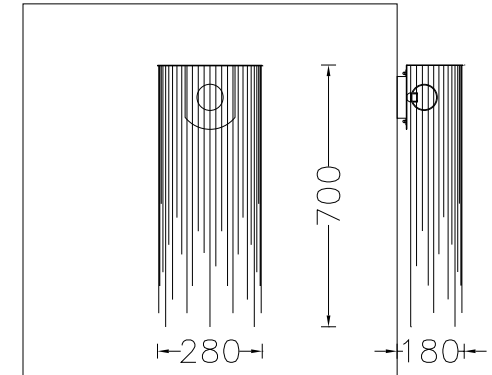
 VOLTAGE RANGE
110-240V

PRODUCT
MARKS &
RATINGS



WEIGHT 2KG
PACKED 5KG
WEIGHT

TECHNICAL DRAWING



INTERACT

SELECT CHAIN FINISH

- SILVER *
- BRASS *
- COPPER *
- SMOKE *
- MIXED METALIC *
- BLACK OXIDE †
- RUST OXIDE †
- WHITE *
- RED *
- BLACK *

CUSTOMISE DIMENSIONS

A


B

C

LAMP TYPE

QUANTITY

ADDITIONAL COMMENTS

[WEB LINK & DOWNLOAD](#) 

* LASERCUT FRAMES BRUSHED STAINLESS STEEL, BRASS CNC PARTS CHROME PLATED.

† LASERCUT FRAMES AND BRASS CNC PARTS IN MATCHING OXIDIZED FINISH.