

RADIAL | RADIAL - SUSPENDED - 1200 | RADIAL-1200-S



DESCRIPTION

Radial is the ultimate ring shaped chandelier and is essentially an extension of the 'Lineal range' as the 'round' version. As with the Lineal, the concept is a textured grid with layers of different coloured metallic chains forming a modular matrix. This is the largest piece in the range at 1.2m diameter and is illuminated by 56x 1 G4 LEDs.

See our Finishes & Materials page for all standard specs

PRODUCT SIZE

SHADE SIZE: 1200DIA X 90H MM / TOTAL HEIGHT: 550MM

PACKAGING DIMENSIONS

1330MM(W) X 1330MM(L) X 390MM(H)



LAMP TYPE & NO

56X G4-LED 12V 1-2 WATT LAMPS (56-112W)
WARM WHITE - DIMMABLE

CLASS III
IP RATING 52
QC RATING 31

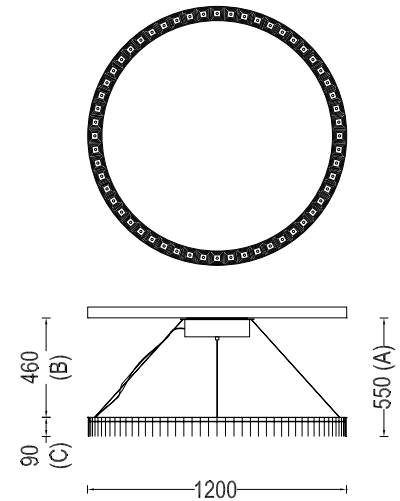
VOLTAGE RANGE
12 V (110-240V IN)

PRODUCT
MARKS &
RATINGS



WEIGHT 20KG
PACKED 40KG
WEIGHT

TECHNICAL DRAWING



INTERACT

SELECT CHAIN FINISH

- SILVER *
- BRASS *
- COPPER *
- SMOKE *
- MIXED METALIC *
- BLACK OXIDE †
- RUST OXIDE †
- WHITE *
- RED *
- BLACK *

CUSTOMISE DIMENSIONS

A

B

C

LAMP TYPE

QUANTITY

ADDITIONAL COMMENTS

[WEB LINK & DOWNLOAD](#)

* LASERCUT FRAMES BRUSHED STAINLESS STEEL, BRASS CNC PARTS CHROME PLATED.

† LASERCUT FRAMES AND BRASS CNC PARTS IN MATCHING OXIDIZED FINISH.