

# SCALLOP LOOPED | SCALLOP LOOPED 280 TABLE LAMP | SCA-LOOP-280(MED)-TBL



## DESCRIPTION

A 280mm Dia. simple classic 'scaloped-loop' table lamp. Made from lasercut stainless steel frames, chrome plated or lacqured, solid brass components and ballchain in several optional finishes. Illuminated by a pyrex glass ball containing a G9-Halogen or LED lamp.

## PRODUCT SIZE

SHADE SIZE: 280W X 500-700H MM / TOTAL HEIGHT: 750MM

## PACKAGING DIMENSIONS

400MM(W) X 400MM(L) X 870MM(H)



## LAMP TYPE & NO

1 X G9-HALOGEN 18-40 WATT LAMPS (40W) OR 1X G9-2.5W LEDS. OR 1 X E12/14 // E26/27 LED

CLASS II  
IP RATING 20  
QC RATING 21

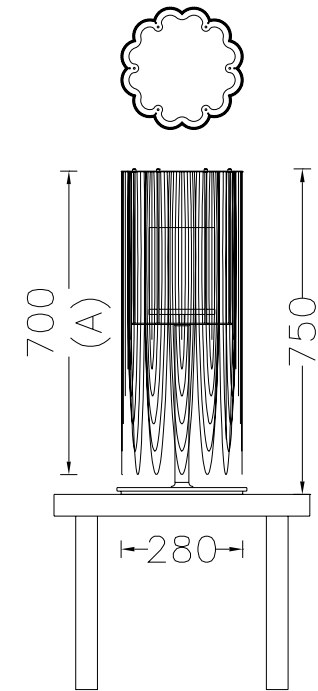
VOLTAGE RANGE  
114 - 240V

PRODUCT MARKS & RATINGS



WEIGHT 9KG  
PACKED 14KG  
WEIGHT

## TECHNICAL DRAWING



## INTERACT

### SELECT COLOUR

- SILVER \*
- BRASS \*
- COPPER \*
- SMOKE \*
- MIXED METALIC \*
- RUST \*
- WHITE
- RED
- BLACK

\* METALLIC

### CUSTOMISE DIMENSIONS

A

### LAMP TYPE

QUANTITY

### ADDITIONAL COMMENTS

[WEB LINK](#)

[DOWNLOAD](#)