

# MOROCCAN VASES | MOROCCAN VASE 2 - LARGE - WALL LANTERN | MORROCAN-2-LRG-WL



## DESCRIPTION

An extension of collection of our existing Moroccan Vases pendant collection, now available as a wall lantern. Illuminated by 1x G9 Halogen/LED bulb within handmade clear or sandblasted pyrex glass ball with OR by 1x E27 vintage style LED bulb.

## PRODUCT SIZE

SHADE SIZE: 900X180W X 72H MM / TOTAL HEIGHT: 600MM

## PACKAGING DIMENSIONS

560MM(W) X 560MM(L) X 330MM(H)



## LAMP TYPE & NO

1 X G9-HALOGEN 18-40 WATT LAMPS (40W) OR 1X G9-2.5W LEDS OR 1 X E12/14 // E26/27 LED

CLASS II  
IP RATING 54  
QC RATING 21

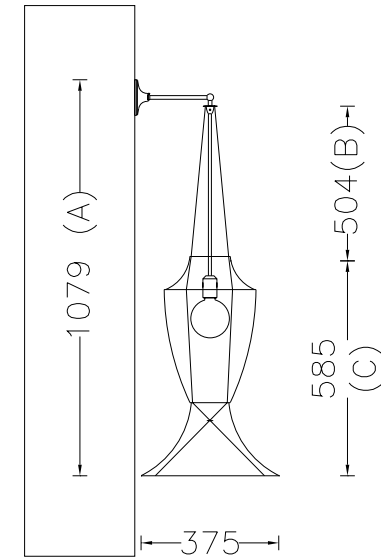
VOLTAGE RANGE  
110-240V

PRODUCT MARKS & RATINGS



WEIGHT 2.5KG  
PACKED 8KG WEIGHT

## TECHNICAL DRAWING



## INTERACT

### SELECT COLOUR

- SILVER \*
- BRASS \*
- COPPER \*
- SMOKE \*
- MIXED METALIC \*
- RUST \*
- WHITE
- RED
- BLACK

\* METALLIC

### CUSTOMISE DIMENSIONS

A

B

C

### LAMP TYPE

QUANTITY

### ADDITIONAL COMMENTS

[WEB LINK](#)

[DOWNLOAD](#)