

# MOROCCAN VASES | MOROCCAN VASE 1 - SMALL - WALL LANTERN | MORROCAN-1-SML-WL



## DESCRIPTION

An extension of collection of our existing Moroccan Vases pendant collection, now available as a wall lantern. Illuminated by 2x G9 Halogen/LED bulbs within handmade clear or sandblasted pyrex glass ball with OR by 2x E27 vintage style LED bulbs.

## PRODUCT SIZE

SHADE SIZE: 330 X 350W MM / TOTAL HEIGHT: 990MM

## PACKAGING DIMENSIONS

460MM(W) X 460MM(L) X 330MM(H)



## LAMP TYPE & NO

2 X G9-HALOGEN 18-40 WATT LAMPS (36-80W) OR  
2X G9-2.5W LEDS OR 2 X E12/14 // E26/27 LEDS

CLASS II  
IP RATING 54  
QC RATING 21

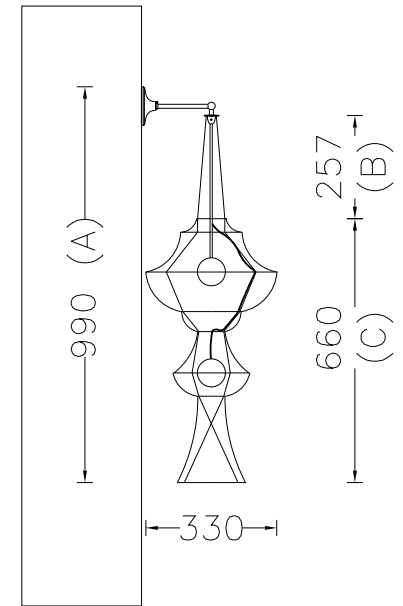
VOLTAGE RANGE  
110-240V

PRODUCT  
MARKS &  
RATINGS



WEIGHT 2.1KG  
PACKED 5.1KG  
WEIGHT

## TECHNICAL DRAWING



## INTERACT

### SELECT COLOUR

- SILVER \*
- BRASS \*
- COPPER \*
- SMOKE \*
- MIXED METALIC \*
- RUST \*
- WHITE
- RED
- BLACK

\* METALLIC

### CUSTOMISE DIMENSIONS

A

B

C

### LAMP TYPE

QUANTITY

### ADDITIONAL COMMENTS

[WEB LINK](#)

[DOWNLOAD](#)