

# LANTERN | LANTERN - WALL LANTERN - 400 | LANTERN-400-WL



## DESCRIPTION

An extension of the existing 'Lantern' collection now also available as a matching wall lantern. Illuminated by a GU.10 Halogen or LED downlight.

## PRODUCT SIZE

SHADE SIZE: 400 X 450W MM / TOTAL HEIGHT: 910MM

## PACKAGING DIMENSIONS

560MM(W) X 560MM(L) X 310MM(H)



## LAMP TYPE & NO

1 X GU.10 50W (50W) OR 1X GU.10 3-5W LED

CLASS I  
IP RATING 20  
QC RATING 21

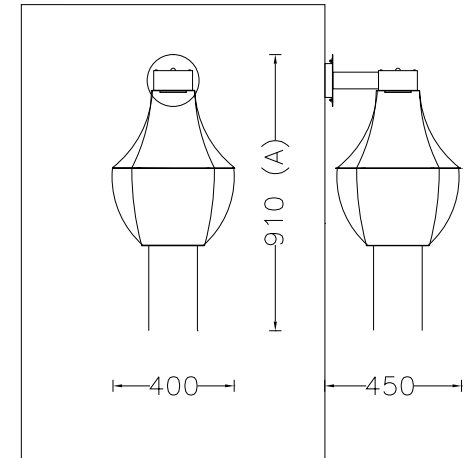
 VOLTAGE RANGE  
110-240V

PRODUCT  
MARKS &  
RATINGS



WEIGHT 4KG  
PACKED 7KG  
WEIGHT

## TECHNICAL DRAWING



## INTERACT

### SELECT COLOUR

- SILVER \*
- BRASS \*
- COPPER \*
- SMOKE \*
- MIXED METALIC \*
- RUST \*
- WHITE
- RED
- BLACK

\* METALLIC

### CUSTOMISE DIMENSIONS

A

B

### LAMP TYPE

QUANTITY

### ADDITIONAL COMMENTS

[WEB LINK](#)

[DOWNLOAD](#) 