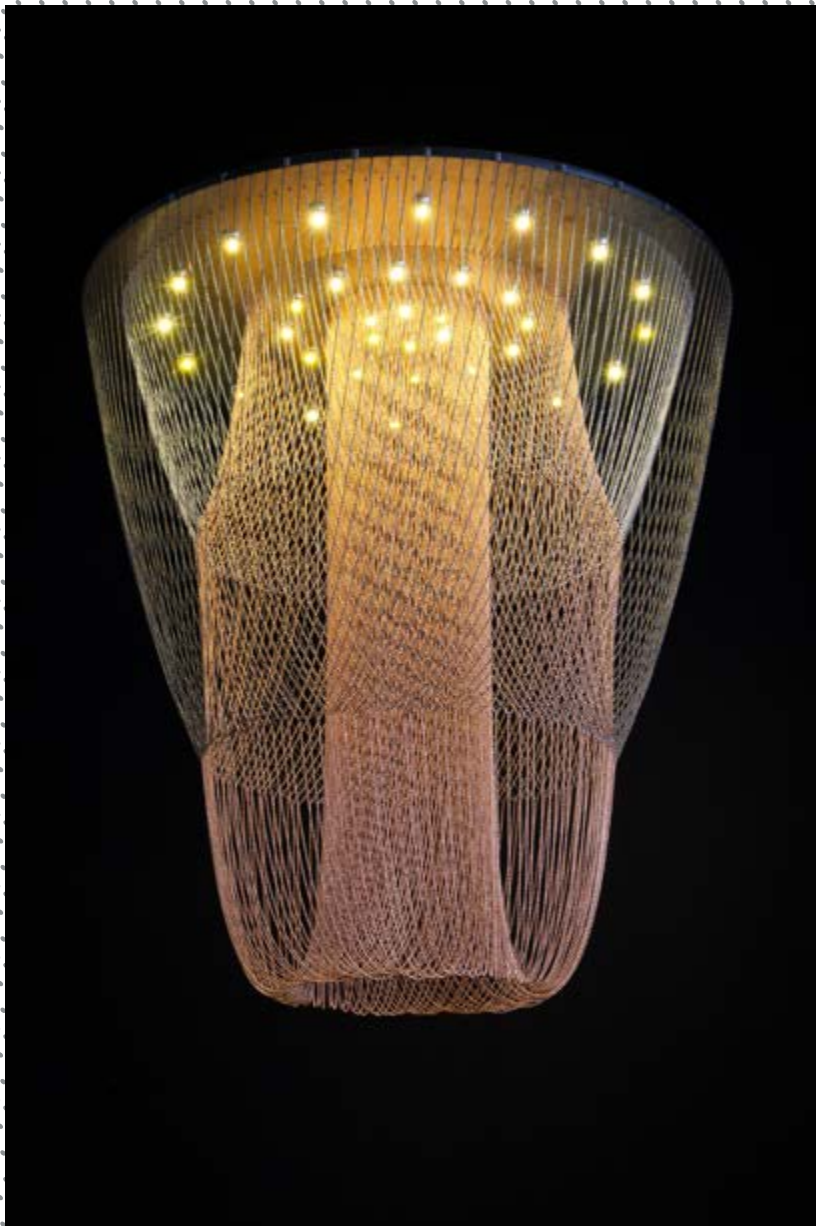


# HALO | HALO - CEILING MOUNTED - 1000 | HALO-1000-C



## DESCRIPTION

A futuristic ghostlike semi transparent form. The success of this design results from an ingenious clip device which has enabled us for the first time to attach the ball chain to itself! This allows for dynamic and distorted curves to be created. The idea is inspired by Antoni Gaudi who used inverted chain models in the structural design for the Sagrada Familia.

## PRODUCT SIZE

SHADE SIZE: 1000W X 1070H MM / TOTAL HEIGHT: 1090MM

## PACKAGING DIMENSIONS

1140MM(W) X 1140MM(L) X 390MM(H)



## LAMP TYPE & NO

35 X G4-LED 12V 2 WATT LAMPS (70W) LED ONLY

CLASS III  
IP RATING 52  
QC RATING 31

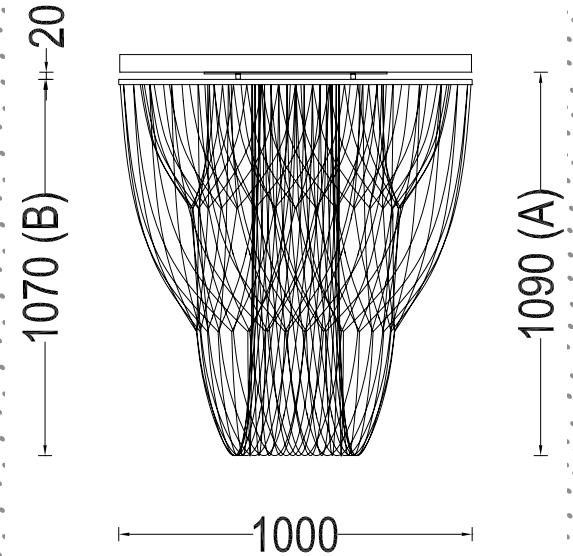
VOLTAGE RANGE  
12V

PRODUCT  
MARKS &  
RATINGS



WEIGHT 31KG  
PACKED 46KG  
WEIGHT

## TECHNICAL DRAWING



## INTERACT

### SELECT COLOUR

- SILVER \*
- BRASS \*
- COPPER \*
- SMOKE \*
- MIXED METALIC \*
- RUST \*
- WHITE
- RED
- BLACK

### CUSTOMISE DIMENSIONS

A

B

### LAMP TYPE

QUANTITY

### ADDITIONAL COMMENTS

[WEB LINK](#)

[DOWNLOAD](#)

\* METALLIC