

HALFPIPE | HALFPIPE - WALL SCONCE - 150 | HALFPIPE-150-WS



DESCRIPTION

An elegant wall-sconce in the form a parabolic curved Half-Pipe. Deceptively simple but in reality every piece of chain has to be cut to the perfect length to simulate the effect of its perfect yet simple fluid form. Illuminated by 2x Gu7-Halogen or Gu7-LED lamps.

PRODUCT SIZE

SHADE SIZE: 470 X 220W MM / TOTAL HEIGHT: 610MM

PACKAGING DIMENSIONS

300MM(W) X 580MM(L) X 340MM(H)



LAMP TYPE & NO

2 X GU.10 50W HALOGEN (100W) OR 2X GU.10 3-5W LED'S

CLASS I
IP RATING 20
QC RATING 21

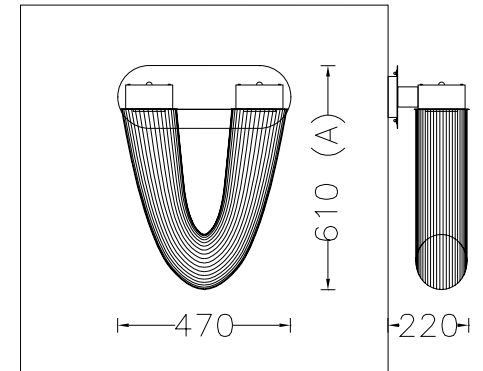
 VOLTAGE RANGE
110-240V

PRODUCT MARKS & RATINGS



 WEIGHT 7KG
PACKED 10KG WEIGHT

TECHNICAL DRAWING



INTERACT

SELECT COLOUR

- SILVER *
- BRASS *
- COPPER *
- SMOKE *
- MIXED METALIC *
- RUST *
- WHITE
- RED
- BLACK

* METALLIC

CUSTOMISE DIMENSIONS

A

B

LAMP TYPE

QUANTITY

ADDITIONAL COMMENTS

[WEB LINK](#)

[DOWNLOAD](#) 