

FARAWAY TREE CHANDELIERS | FARAWAY TREE - 1000 | FAT-1000-S



DESCRIPTION

A chandelier inspired by trees constructed from a bowing 2D graphic metal frame. Made from lasercut stainless steel frames, chrome plated or lacquered, solid brass components and ballchain in several optional finishes. Illuminated by 3xGU.10 PAR-16 spotlights housed in a suspended uplighter dish.

PRODUCT SIZE

SHADE SIZE: 1000W X 750H MM / TOTAL HEIGHT: 1200MM

PACKAGING DIMENSIONS

1140MM(W) X 1140MM(L) X 300MM(H)



LAMP TYPE & NO

3 X GU.10-HALOGEN 50W (150W) OR 3X GU.10-5W LEDS

CLASS I

IP RATING 20

QC RATING 21



VOLTAGE RANGE

110 - 240V

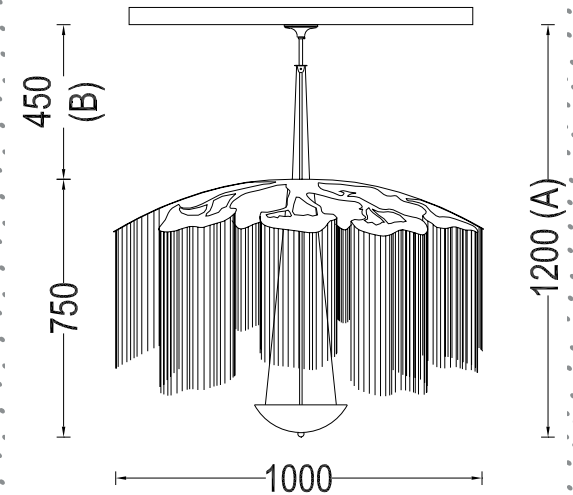
PRODUCT MARKS & RATINGS



WEIGHT 14KG

PACKED WEIGHT 27KG

TECHNICAL DRAWING



INTERACT

SELECT COLOUR

- SILVER *
- BRASS *
- COPPER *
- SMOKE *
- MIXED METALIC *
- RUST *
- WHITE
- RED
- BLACK

* METALLIC

CUSTOMISE DIMENSIONS

A

B

LAMP TYPE

QUANTITY

ADDITIONAL COMMENTS

[WEB LINK](#)

[DOWNLOAD](#)