

DROPLET | DROPLET - 1000 | DROPLET-1000-S



DESCRIPTION

Several cascading rings of stainless steel frames. Made from lasercut stainless steel frames, chrome plated or lacquered, solid brass components and ballchain in several optional finishes. Illuminated by 7 G9 Halogen lamps in 7 suspended pyrex glass balls in a spiraling formation. Suitable for a double volumed space only.

PRODUCT SIZE

SHADE SIZE: 1000W X 2430 MM / TOTAL HEIGHT: 2700MM

PACKAGING DIMENSIONS

1140MM(W) X 1140MM(L) X 300MM(H)



LAMP TYPE & NO

7 X G9-HALOGEN 18-40 WATT LAMPS (126-280W) OR
7X G9-2.5W LEDS. OR 7X E12/14 OR E26/27 LEDS

CLASS II
IP RATING 54
QC RATING 21

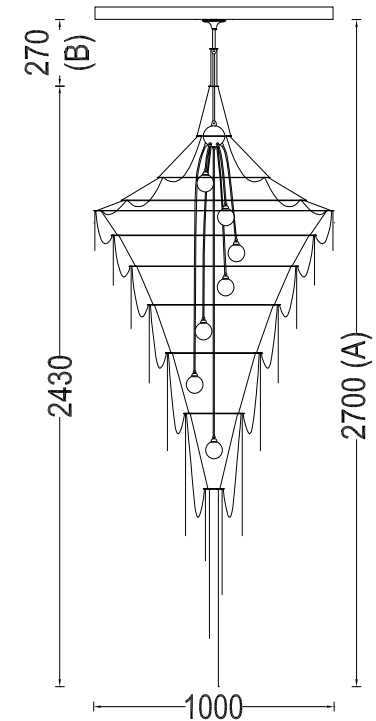
VOLTAGE RANGE
110 - 240V

PRODUCT
MARKS &
RATINGS



WEIGHT 21KG
PACKED 35KG
WEIGHT

TECHNICAL DRAWING



INTERACT

SELECT COLOUR

- SILVER *
- BRASS *
- COPPER *
- SMOKE *
- MIXED METALLIC *
- RUST *
- WHITE
- RED
- BLACK

* METALLIC

CUSTOMISE DIMENSIONS

A

B

LAMP TYPE

QUANTITY

ADDITIONAL COMMENTS

[WEB LINK](#)

[DOWNLOAD](#)