

CIRCULAR WILLOW | CIRCULAR WILLOW 150 TABLE LAMP | CIR-WIL-150(SML)-TBL



DESCRIPTION

A 150mm Dia. simple classic 'circular-willow' table lamp. Made from laser-cut stainless steel frames, chrome plated or lacquered, solid brass components and ballchain in several optional finishes. Illuminated by a pyrex glass ball containing a G9-Halogen or LED lamp.

PRODUCT SIZE

SHADE SIZE: 150W X 350-520H MM / TOTAL HEIGHT: 620MM

PACKAGING DIMENSIONS

300MM(W) X 300MM(L) X 800MM(H)



LAMP TYPE & NO

1 X G9-HALOGEN 18-40 WATT LAMPS (40W) OR 1X G9-2.5W LED

CLASS II
IP RATING 20
QC RATING 21

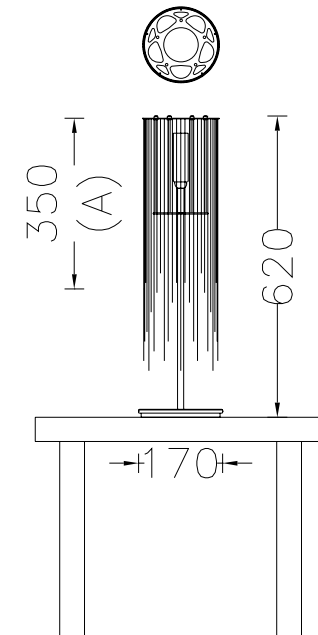
VOLTAGE RANGE
111 - 240V

PRODUCT MARKS & RATINGS



WEIGHT 3KG
PACKED 7KG
WEIGHT

TECHNICAL DRAWING



INTERACT

SELECT COLOUR

- SILVER *
- BRASS *
- COPPER *
- SMOKE *
- MIXED METALIC *
- RUST *
- WHITE
- RED
- BLACK

* METALLIC

CUSTOMISE DIMENSIONS

A

LAMP TYPE

QUANTITY

ADDITIONAL COMMENTS

[WEB LINK](#)

[DOWNLOAD](#)