

# SIMPLE LAMPS | CIRCULAR CROPPED - WALL LANTERN - 150 | CIR-CRO-150-WL



## DESCRIPTION

An addition to our 'Circular Cropped' family in the 'Basic Lamps' collection - This simple elegant wall-lantern is identical to its pendant counterpart except it is mounted onto the wall instead of the ceiling. Illuminated by 1x G9 Halogen/LED bulb within handmade frosted pyrex glass diffuser with OR by 1x E12/14 vintage style LED bulb.

## PRODUCT SIZE

SHADE SIZE: 150X200W X 350MM / TOTAL HEIGHT: 740MM

## PACKAGING DIMENSIONS

310MM(W) X 310MM(L) X 310MM(H)



## LAMP TYPE & NO

1 X G9-HALOGEN 18-40 WATT LAMPS (40W) OR 1X G9-2.5W LEDS. OR 1 X E12/14 // E26/27 LED

CLASS II  
IP RATING 20  
QC RATING 21

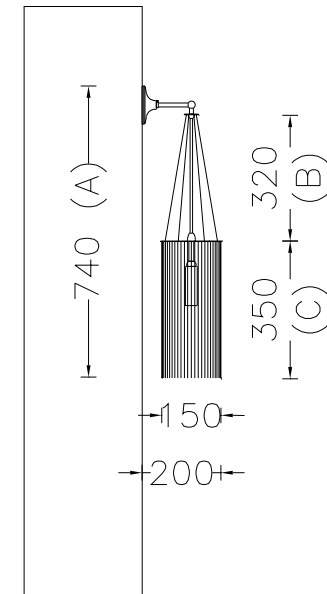
 VOLTAGE RANGE  
110-240V

PRODUCT MARKS & RATINGS



 WEIGHT 1.3KG  
PACKED 4KG WEIGHT

## TECHNICAL DRAWING



## INTERACT

### SELECT COLOUR

- SILVER \*
- BRASS \*
- COPPER \*
- SMOKE \*
- MIXED METALIC \*
- RUST \*
- WHITE
- RED
- BLACK

\* METALLIC

### CUSTOMISE DIMENSIONS

A

B

C

### LAMP TYPE

QUANTITY

### ADDITIONAL COMMENTS

[WEB LINK](#)

[DOWNLOAD](#) 