

CIRCULAR CROPPED | CIRCULAR CROPPED 400 PENDANT LAMP | CIR-CRO-400(LRG)-PEN



DESCRIPTION

A 400mm Dia. simple classic 'circular-cropped' pendant lamp. Made from lasercut stainless steel frames, chrome plated or lacquered, solid brass components and ballchain in several optional finishes. Illuminated by a pyrex glass ball containing a G9-Halogen or LED lamp.

PRODUCT SIZE

SHADE SIZE: 400W X 450-820H MM / TOTAL HEIGHT: 900-1250MM

PACKAGING DIMENSIONS

560MM(W) X 560MM(L) X 330MM(H)



LAMP TYPE & NO

1 X G9-HALOGEN 18-40 WATT LAMPS (40W) OR 1X G9-2.5W LEDS. OR 1 X E12/14 // E26/27 LED

CLASS II

IP RATING 20

QC RATING 21



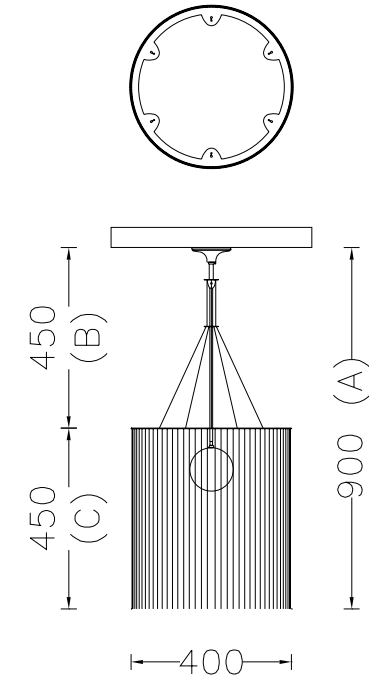
VOLTAGE RANGE
110 - 240V

PRODUCT MARKS & RATINGS



WEIGHT 4KG
PACKED 9KG
WEIGHT

TECHNICAL DRAWING



INTERACT

SELECT COLOUR

- SILVER *
- BRASS *
- COPPER *
- SMOKE *
- MIXED METALLIC *
- RUST *
- WHITE
- RED
- BLACK

* METALLIC

CUSTOMISE DIMENSIONS

A

B

C

LAMP TYPE

QUANTITY

ADDITIONAL COMMENTS

[WEB LINK](#)

[DOWNLOAD](#)

willowlamp..