

MANDALA NO.2 | MANDALA NO.2 1000MM DIA | MAND-NO2-1000-S



DESCRIPTION

A massive intense illuminated Mandala sculpture inspired by Islamic patterns which have been translated into three dimensions through the extrusion of the complex interlocking geometry. Made from lasercut stainless steel frames, chrome plated brass components, ballchain. Illuminated by a combination of surface mounted and suspended G4 Halogen lamps. Mandala No.2 is a 'shallower' version than Mandala No.1 with a more evident pattern from any angle

PRODUCT SIZE

SHADE SIZE: 1000W X 500H MM / TOTAL HEIGHT: 1400MM

PACKAGING DIMENSIONS

1140MM(W) X 1140MM(L) X 390MM(H)



LAMP TYPE & NO

24 X G4-HALOGEN 12V 10 WATT LAMPS (240W) OR LED

CLASS III
IP RATING 52
QC RATING 21

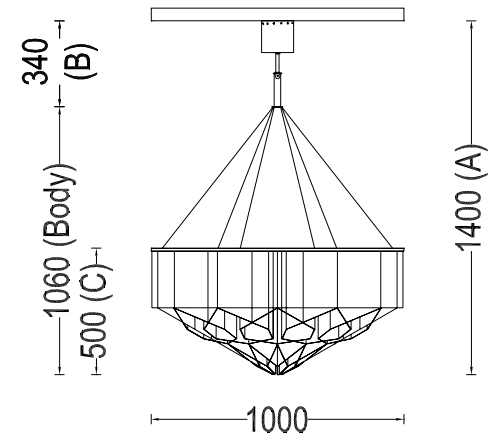
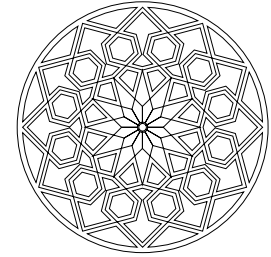
VOLTAGE RANGE
12V

PRODUCT MARKS & RATINGS



WEIGHT 45KG
PACKED 60KG WEIGHT

TECHNICAL DRAWING



INTERACT

SELECT COLOUR

- SILVER *
- BRASS *
- COPPER *
- SMOKE *
- MIXED METALIC *
- RUST *
- WHITE
- RED
- BLACK

CUSTOMISE DIMENSIONS

A

B

C

LAMP TYPE

QUANTITY

ADDITIONAL COMMENTS

* METALLIC