

LANTERN | LANTERN - 400 | LANTERN-400-S



DESCRIPTION

A small 'chinese lantern' like miniture chandelier pendant lamp. Made from lasercut stainless steel frames, chrome plated or lacqured, solid brass components and ballchain in several optional finishes. Illuminated by a pyrex glass ball containing a G9-Halogen lamp.

PRODUCT SIZE

SHADE SIZE: 400W X 750H MM / TOTAL HEIGHT: 1000MM

PACKAGING DIMENSIONS

560MM(W) X 560MM(L) X 330MM(H)



LAMP TYPE & NO

1 X G9-HALOGEN 18-40 WATT LAMPS OR 1X G9-2.5W LED OR 1 X E12/14 // E26/27 LED

CLASS II
IP RATING 54
QC RATING 21

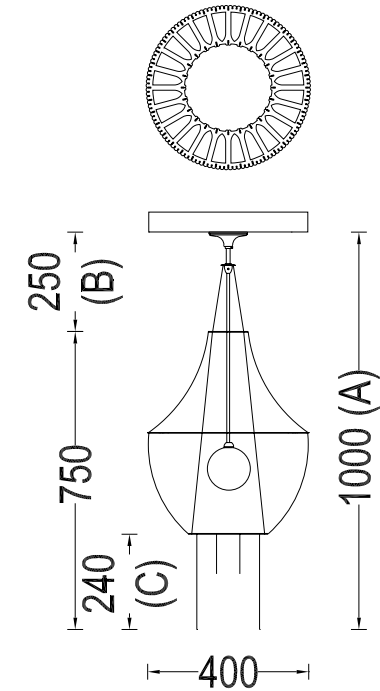
VOLTAGE RANGE
110 - 240V

PRODUCT MARKS & RATINGS



WEIGHT 3KG
PACKED 8KG WEIGHT

TECHNICAL DRAWING



INTERACT

SELECT COLOUR

- SILVER *
- BRASS *
- COPPER *
- SMOKE *
- MIXED METALIC *
- RUST *
- WHITE
- RED
- BLACK

* METALLIC

CUSTOMISE DIMENSIONS

A

B

C

LAMP TYPE

QUANTITY

ADDITIONAL COMMENTS

[WEB LINK](#)

[DOWNLOAD](#)