

# HALFPIPE | HALFPIPE - WALL SCONCE - 150 | HALFPIPE-150-WS



## DESCRIPTION

An elegant wall-sconce in the form a parabolic curved Half-Pipe. Deceptively simple but in reality every piece of chain has to be cut to the perfect length to simulate the effect of its perfect yet simple fluid form. Illuminated by 2x Gu7-Halogen or Gu7-LED lamps.

## PRODUCT SIZE

SHADE SIZE: 470 X 220W MM / TOTAL HEIGHT: 610MM

## PACKAGING DIMENSIONS

300MM(W) X 580MM(L) X 340MM(H)



## LAMP TYPE & NO

2 X GU.10 50W HALOGEN (100W) OR 2X GU.10 3-5W LED'S

CLASS I  
IP RATING 20  
QC RATING 21

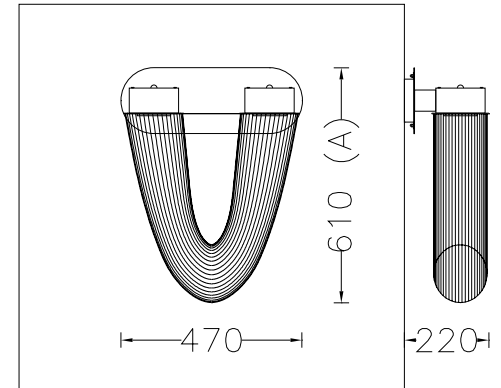
 VOLTAGE RANGE  
110-240V

PRODUCT  
MARKS &  
RATINGS



WEIGHT 7KG  
PACKED 10KG  
WEIGHT

## TECHNICAL DRAWING



## INTERACT

### SELECT COLOUR

- SILVER \*
- BRASS \*
- COPPER \*
- SMOKE \*
- MIXED METALIC \*
- RUST \*
- WHITE
- RED
- BLACK

\* METALLIC

### CUSTOMISE DIMENSIONS

A

B

### LAMP TYPE

QUANTITY

### ADDITIONAL COMMENTS

[WEB LINK](#)

[DOWNLOAD](#) 