

# COCOON | COCOON - SUSPENDED - 1750 | COCOON-1750-S



## DESCRIPTION

Cocoon is an elongated, sleek and minimally styled 'pod shaped' chandelier suitable for a linear space or over a table / countertop. Illuminated by 9x G9 Halogen/LED bulbs within handmade clear pyrex glass balls with OR by 9x E27 vintage style LED bulbs.

## PRODUCT SIZE

SHADE SIZE: 1750X400W X 400H MM / TOTAL HEIGHT: 1000MM

## PACKAGING DIMENSIONS

1920MM(W) X 530MM(L) X 390MM(H)



## LAMP TYPE & NO

9 X G9-HALOGEN 18-40 WATT LAMP (162-360) OR 9X G9-2.5W LEDS OR 9 X E26/27 LEDS

CLASS II  
IP RATING 52  
QC RATING 21

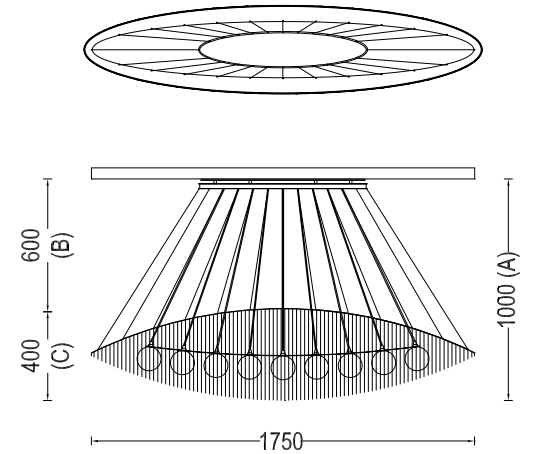
VOLTAGE RANGE  
110 - 240V

PRODUCT MARKS & RATINGS



WEIGHT 13KG  
PACKED 30KG WEIGHT

## TECHNICAL DRAWING



## INTERACT

### SELECT COLOUR

- SILVER \*
- BRASS \*
- COPPER \*
- SMOKE \*
- MIXED METALIC \*
- RUST \*
- WHITE
- RED
- BLACK

\* METALLIC

### CUSTOMISE DIMENSIONS

A

B

C

### LAMP TYPE

QUANTITY

### ADDITIONAL COMMENTS

[WEB LINK](#)

[DOWNLOAD](#)