

2 FOLDED CIRCLES | BOTTOMFOLD - WALL SCONCE - 170 | BOTTOMFOLD-170-WS



DESCRIPTION

This very simple petite wall-sconce based on 2 circles folded at 90 degrees to one another, with the wall plate above the light. Illuminated by 1x G9 Halogen/LED bulb within handmade clear or sandblasted pyrex glass ball with OR by 1x E27 vintage style LED bulb.

PRODUCT SIZE

SHADE SIZE: 170 X 220W MM / TOTAL HEIGHT: 400MM

PACKAGING DIMENSIONS

310MM(W) X 310MM(L) X 350MM(H)



LAMP TYPE & NO

1 X G9-HALOGEN 18-40 WATT LAMPS (40W) OR 1X G9-2.5W LEDS. OR 1 X E12/14 // E26/27 LED

CLASS II
IP RATING 54
QC RATING 32

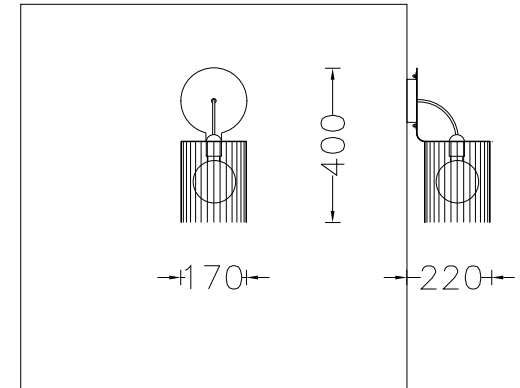
 VOLTAGE RANGE
110-24-V

PRODUCT MARKS & RATINGS



WEIGHT 2KG
PACKED 4KG WEIGHT

TECHNICAL DRAWING



INTERACT

SELECT COLOUR

- SILVER *
- BRASS *
- COPPER *
- SMOKE *
- MIXED METALIC *
- RUST *
- WHITE
- RED
- BLACK

* METALLIC

CUSTOMISE DIMENSIONS

A

B

LAMP TYPE

QUANTITY

ADDITIONAL COMMENTS

[WEB LINK](#)

[DOWNLOAD](#) 